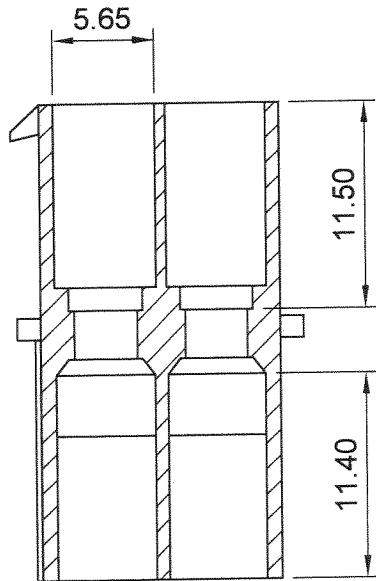
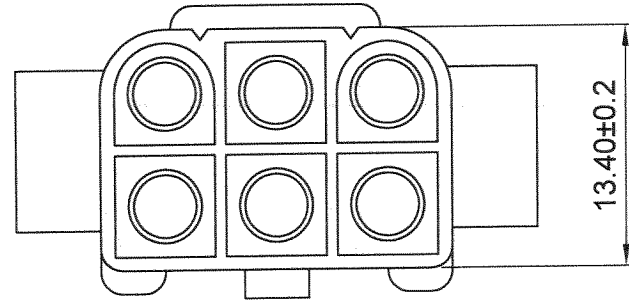
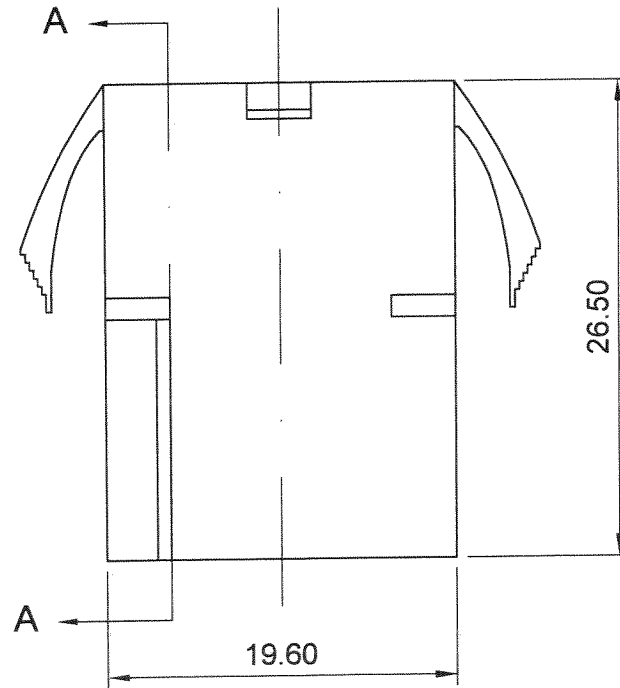


RoHS  
Compliant  
2002/95/EC



A-A



**SPECIFICATIONS**

POLES : 6 POLES

CURRENT RATING : 5A

VOLTAGE RATING : 250V AC,DC

TEMPERATURE RANGE : -25°C ~ +85°C

CONTACT RESISTANCE : INITIAL VALUE/ 10mΩ MAX.

AFTER ENVIRONMENTAL TESTING / 20mΩ

WITHSTAND VOLTAGE : 1500V AC / MINUTE

INSULATION RESISTANCE : 1000 MΩ MIN.

MATERIAL : NYLON UL94V-0, UL 94V-2

SUITABLE 4200A-TM SERIES TERMINAL

MATES WITH 4200A-2x3M HOUSING

**JAWS**® 兆旭股份有限公司  
JAWS CO., LTD.  
7F-1, NO.31, Lane 169, Kang Ning Street,  
Hsichih, Taipei Hsien, Taiwan.  
TEL:886-2-2692-2898  
FAX:886-2-2692-2618  
Http://www.jaws.com.tw



THIRD ANGLE PROJECTION  
DESIGN UNITS  
mm INCH  
SIZE: A4  
SCALE: FREE  
SHEET: 1/1  
CPN NO.:  
DAN NO.: S9712-016

TITLE: Ø 2.0mm WIRE TO WIRE HOUSING, FEMALE  
PARTS NO.: 4200A-2x3F  
DWG NO.: JAWS-SOP-4200A001  
REV. 01

GENERAL TOLERANCES:  
X.X ±0.25  
X.XX ±0.13  
X.XXX ±0.08  
ANGLE ±N/A

DRAWN	游熾瑩	DATE	97/12/12
CHECK	Lang	DATE	97.12.16
APPROVE	陳世寬	DATE	97.12.18